

Date: \_\_\_\_\_ Project: \_\_\_\_\_  
Prepared for: \_\_\_\_\_ Type: \_\_\_\_\_  
Comments: \_\_\_\_\_

# RGB CONTROLLER

12V | Radio Frequency

**2** years  
Limited Warranty

**L**  
Lifetime  
20 000 hours

**IP20**  
Suitable for use in  
dry locations

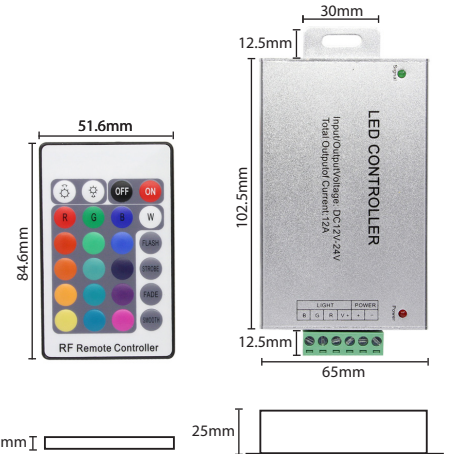
### SPECIFICATIONS

- Input Voltage: 12V DC
- Output: 3 Channels
- Static Power Consumption: <1W
- IP20 - Suitable for Dry Locations
- Output Current: 4 A /channel
- Output Power: <144W
- Aluminium Casing
- 24-Key Radio Frequency Remote
- Functioning Temperature: -20°C to 60°C

**AVAILABILITY**  
12V

\*This icon indicates a STOCK item: Look for this Same Day Shipping icon below in 'Ordering Information' for products that ship out on the same day (orders must be placed before 3pm EST)

### DIMENSIONS (mm)



### INSTRUCTIONS

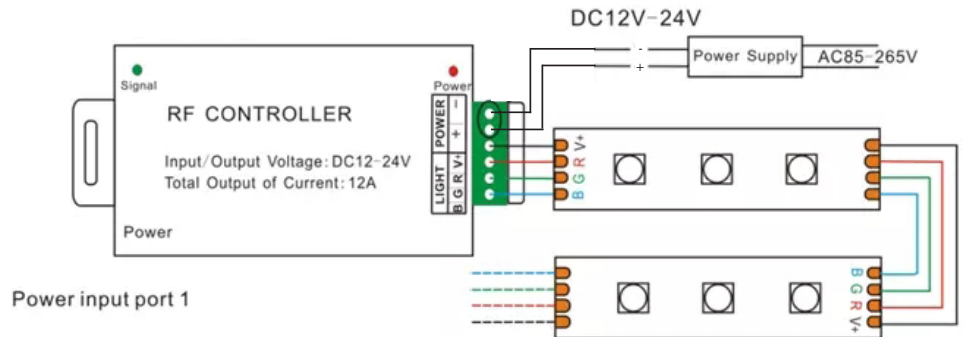
#### IDENTIFY REMOTE TO RGB STRIP

Hold down and , then power the LED strip you wish to pair with the remote. Release the buttons once the LED strip blinks. The remote is now paired with the LED strip.

#### UNPAIRING RGB REMOTE FROM CONTROLLER

Hold down and , then power the LED strip you wish to unpair from the remote. Release the buttons once the LED strip blinks. The remote is now unpaired from the LED strip.

### WIRING DIAGRAM



### ORDERING INFORMATION

SERIES	MAX POWER (WATTS)	MAX OUTPUT CURRENT (A)	INPUT/ OUTPUT VOLTAGE	MODEL NUMBER
RGB CONTROLLER	144	12	12V	RGBCTRL-144W-RF